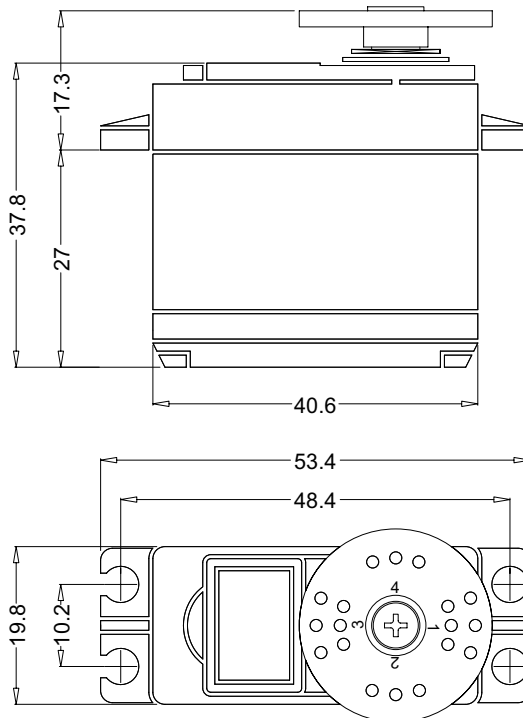


# ANNOUNCED SPECIFICATION OF HS-625MG STANDARD DELUXE HIGH SPEED SERVO

## 1. TECHNICAL VALUES

CONTROL SYSTEM	:+PULSE WIDTH CONTROL 1500usec NEUTRAL	
OPERATING VOLTAGE RANGE	:4.8V TO 6.0V	
OPERATING TEMPERATURE RANGE	:-20 TO +60°C	
TEST VOLTAGE	:AT 4.8V	:AT 6.0V
OPERATING SPEED	:0.18sec/60° AT NO LOAD	:0.15sec/60° AT NO LOAD
STALL TORQUE	:5.5kg.cm(76.37oz.in)	:6.8kg.cm(94.43oz.in)
OPERATING ANGLE	:45°/ONE SIDE PULSE TRAVELING 400usec	
DIRECTION	:CLOCK WISE/PULSE TRAVELING 1500 TO 1900usec	
IDLE CURRENT	:8.8mA	:9.1mA
RUNNING CURRENT	:400mA	:500mA
DEAD BAND WIDTH	:8usec	
CONNECTOR WIRE LENGTH	:300mm(11.81in)	
DIMENSIONS	:40.6x19.8x37.8mm(1.59x0.77x1.48in)	
WEIGHT	:55.2g(1.94oz)	



## 2. FEATURES

- 3-POLE FERRITE MOTOR
- DUAL BALL BEARING
- LONG LIFE POTENTIOMETER
- 3-METAL GEARS & 1-RESIN METAL GEAR
- HYBRID I.C

## 3. APPLICATIONS

- AIRCRAFT TO 1/4 SCALE
- 30 TO 60 SIZE HELICOPTERS
- STEERING AND THROTTLE FOR 1/10TH & 1/8TH ON-ROAD AND OFF-ROAD VEHICLES