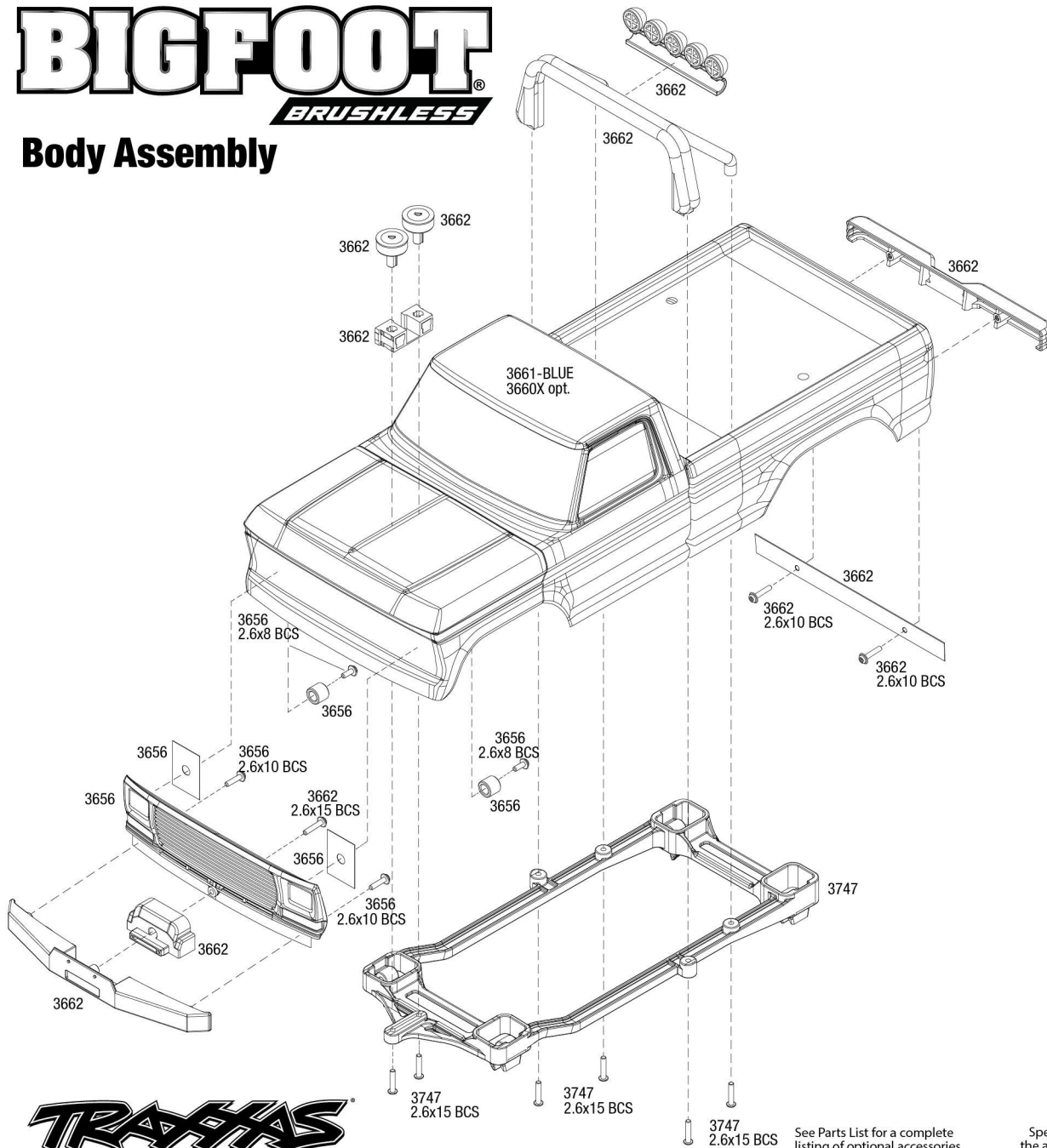


# BIGFOOT®

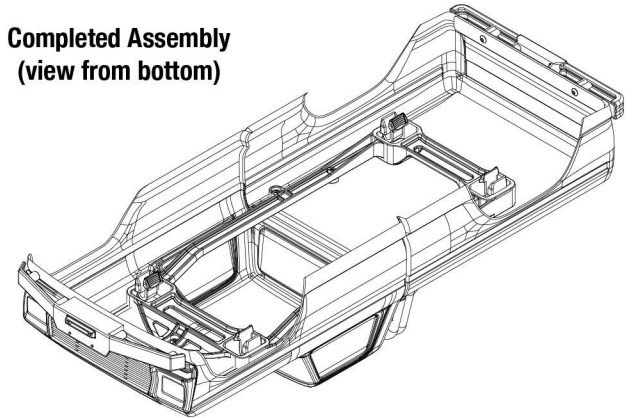
BRUSHLESS

## Body Assembly



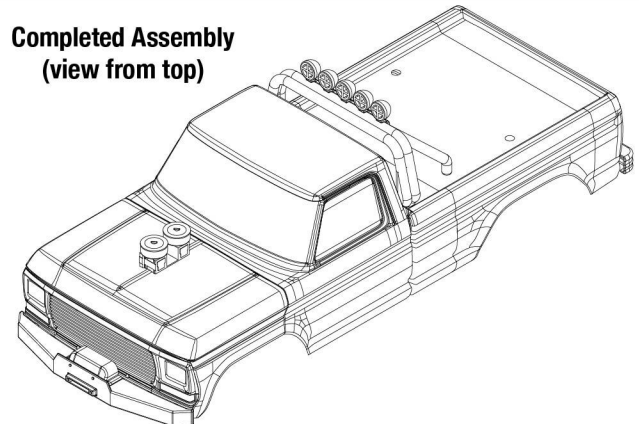
See Parts List for a complete listing of optional accessories.

### Completed Assembly (view from bottom)



- 3660X Body, Bigfoot® No. 1, Officially Licensed replica (clear, requires painting)/ window masks/ decal sheet
- 3661-BLUE Body, Bigfoot® No. 1, Officially Licensed replica (painted, decals applied) (assembled with body support for clipless mounting)
- 3747 Body support (with front & rear latches)/ 2.6x15mm BCS (6) (for clipless body mounting)
- 3656 Grille, Bigfoot® No. 1 (chrome)/ decals/ adhesive tape/ mounting hardware
- 3662 Body accessories kit, Bigfoot® No. 1 (includes winch, front and rear bumpers, roll bar, light bar, engine detail, & mounting hardware) (grille sold separately)

### Completed Assembly (view from top)



- 3660X Body, Bigfoot® No. 1, Officially Licensed replica (clear, requires painting)/ window masks/ decal sheet
- 3661-BLUE Body, Bigfoot® No. 1, Officially Licensed replica (painted, decals applied) (assembled with body support for clipless mounting)
- 3747 Body support (with front & rear latches)/ 2.6x15mm BCS (6) (for clipless body mounting)
- 3656 Grille, Bigfoot® No. 1 (chrome)/ decals/ adhesive tape/ mounting hardware
- 3662 Body accessories kit, Bigfoot® No. 1 (includes winch, front and rear bumpers, roll bar, light bar, engine detail, & mounting hardware) (grille sold separately)

REV 240503-R03

Specifications on this page are subject to change without notice. Every attempt has been made to ensure the accuracy of this drawing; however, Traxxas cannot be held responsible for typographical or other errors.