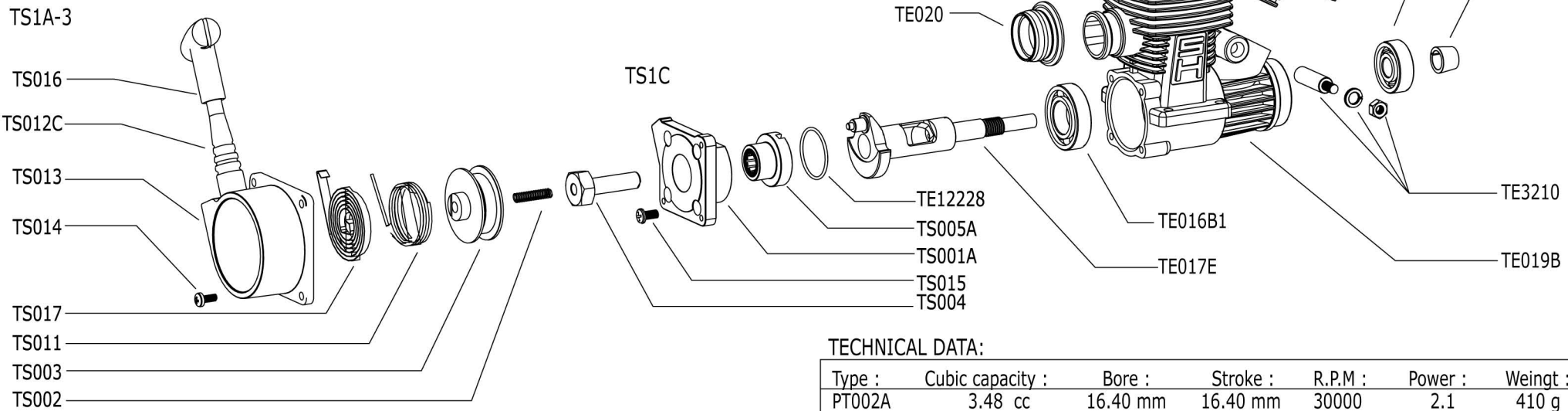
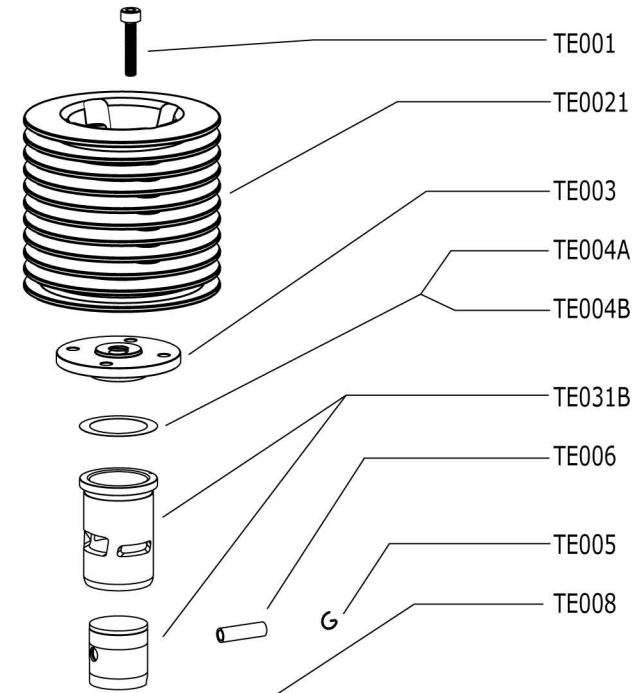
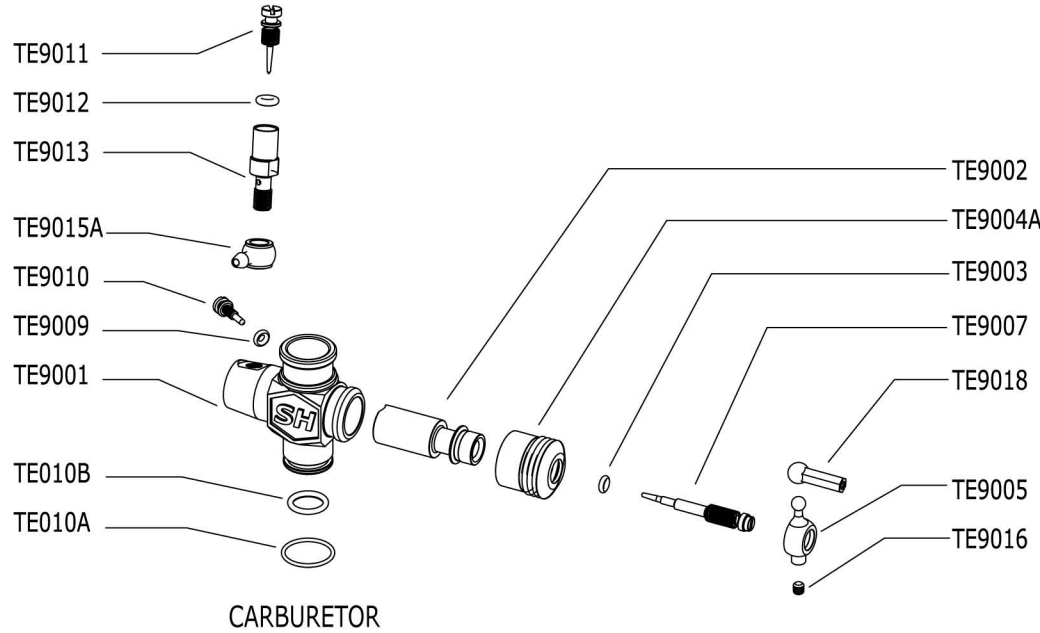


# 21 EXHAUST ENGINE WITH PULLSTARTER



## TECHNICAL DATA:

Type :	Cubic capacity :	Bore :	Stroke :	R.P.M :	Power :	Weingt :
PT002A	3.48 cc	16.40 mm	16.40 mm	30000	2.1	410 g