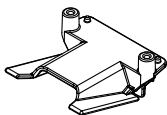




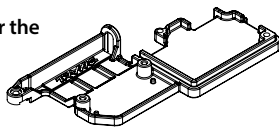
## Expander Mount Installation Instructions

Covers Part #6558

Use this kit part for the Funny Car:

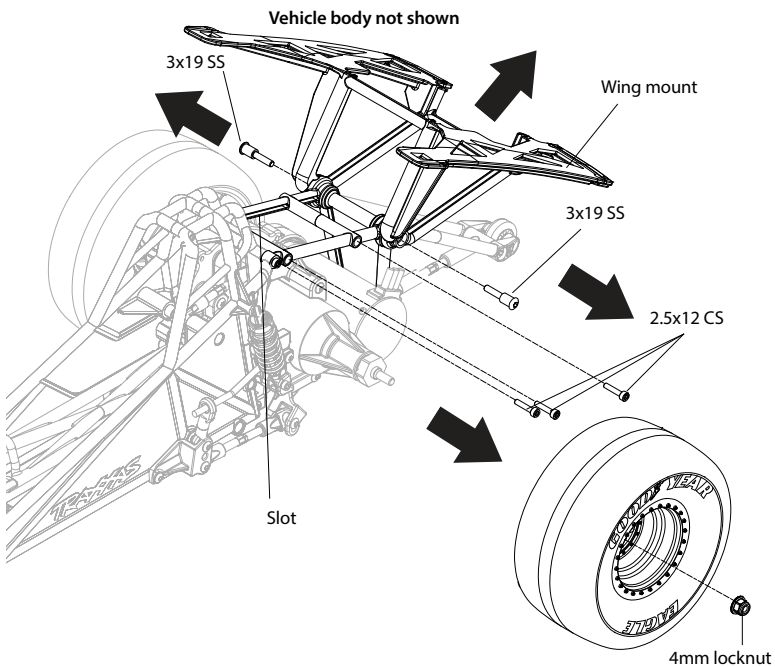


Use this kit part for the Nitro 4-Tec:

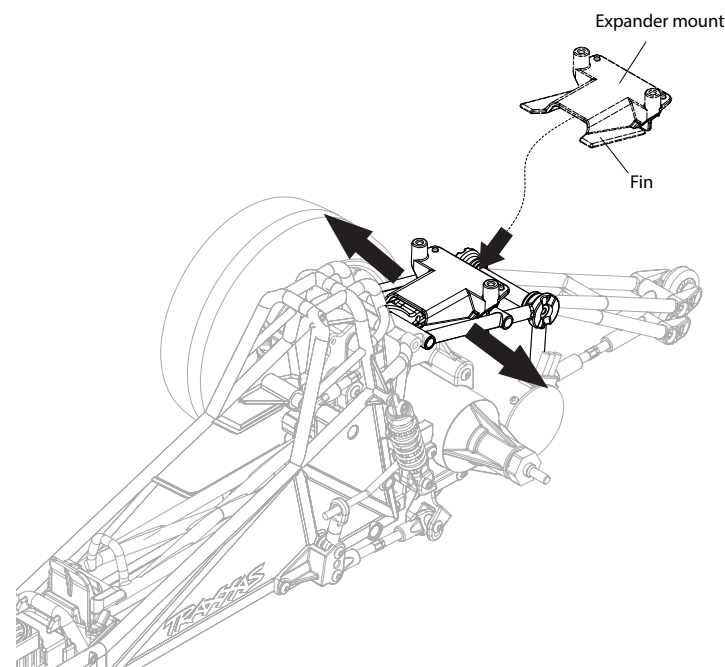


### Funny Car

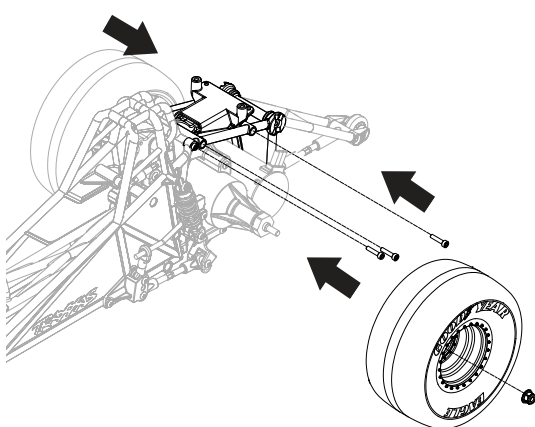
**A** Remove the vehicle body, the left rear wheel, and the fasteners from the rear frame.



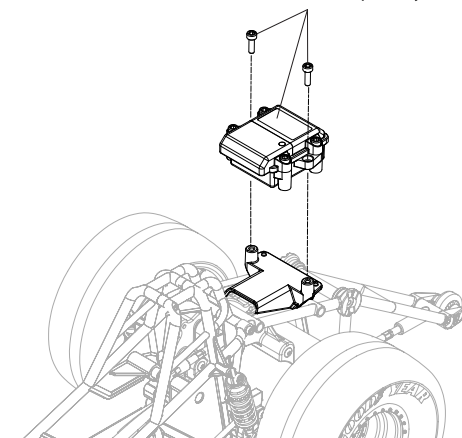
**B** Install the Expander mount.



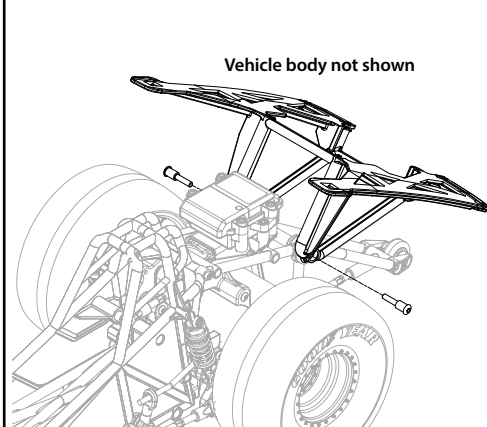
**C** Reinstall the fasteners and the left rear wheel.



**D** Telemetry Expander (Part #6550, sold separately)

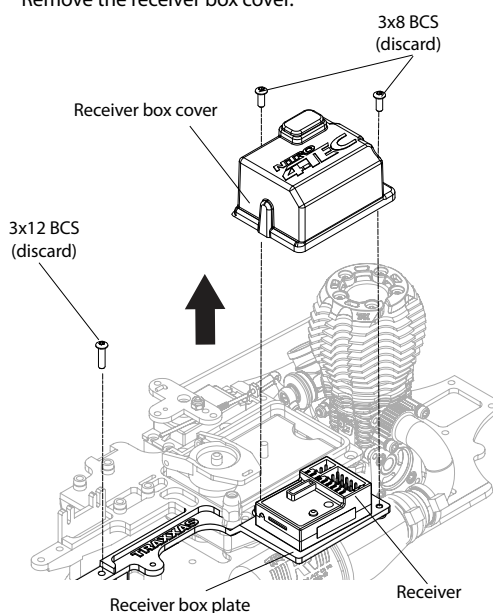


**E** Reinstall the vehicle body.



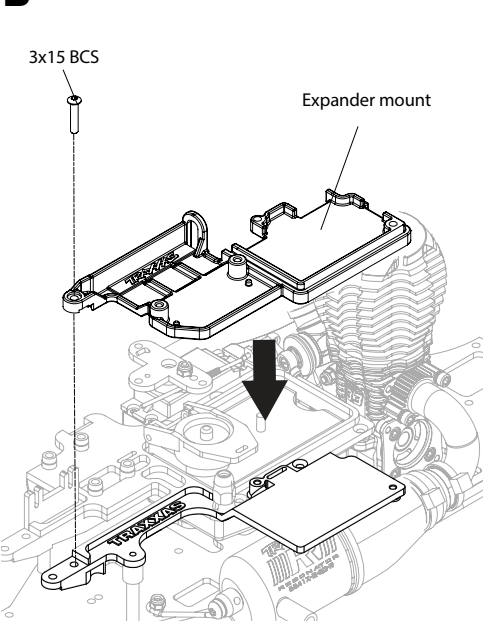
### Nitro 4-Tec

**A** Remove the 3x8 BCS (2) and 3x12 BCS (1) and discard. Remove the receiver box cover.



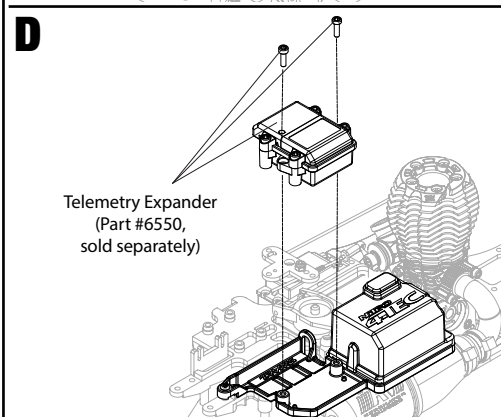
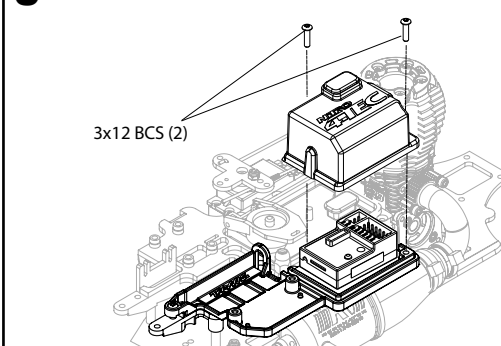
**Note:** After removal of the receiver box cover, carefully lift and move the receiver and wiring to allow installation of the Expander mount over the receiver box plate.

**B** Install the Expander mount.



**Note:** Once the Expander mount is installed, reposition the receiver box and wiring on the Expander mount.

**C** Replace the receiver box cover.



If you have questions or need technical assistance, call Traxxas at

**1-888-TRAXXAS**

(1-888-872-9927) (U.S. residents only)

**TRAXXAS.COM**