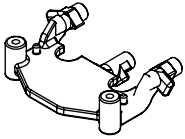




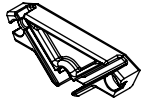
Expander Mount Installation Instructions

Covers Part #6555

Use these kit parts for the Slash 4x4, the Stampede 4x4, or the 1/10 Rally:



Expander mount

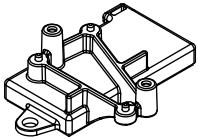


Expander mount clamp



3x12 BCS (3)

Use this kit part for the Jato:



Expander mount (new receiver box cover)

Slash 4x4, Stampede 4x4, 1/10 Rally

Install the Expander mount and the Expander mount clamp to the rear shock tower.

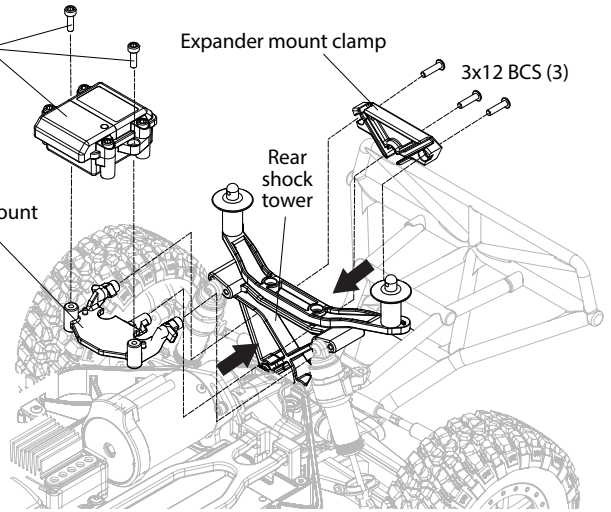
Telemetry Expander
(Part #6550,
sold separately)

Expander mount clamp

3x12 BCS (3)

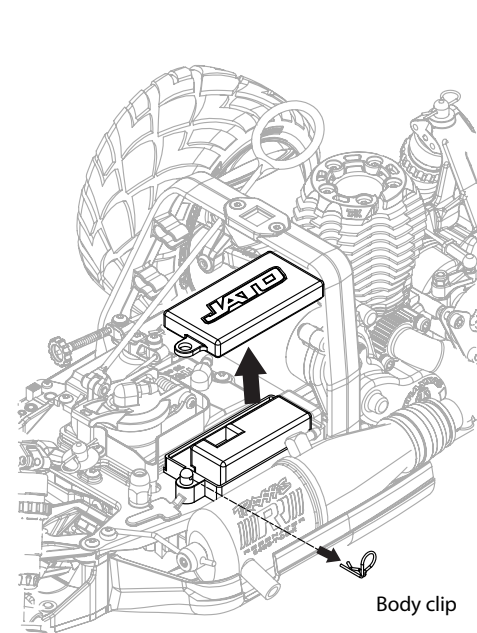
Expander mount

Rear shock tower



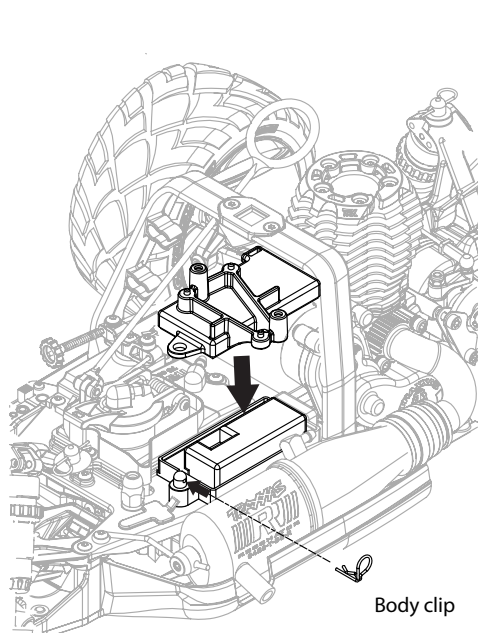
Jato

A Remove the receiver box cover and discard.



Body clip

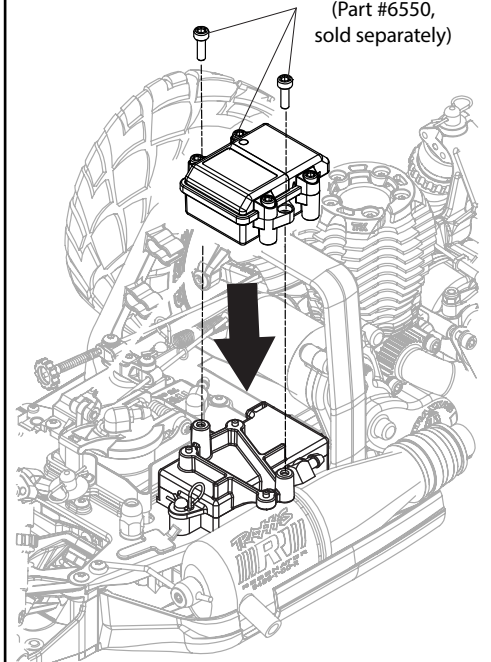
B Install the Expander mount (new receiver box cover).



Body clip

C

Telemetry Expander
(Part #6550,
sold separately)



If you have questions or need technical assistance, call Traxxas at

1-888-TRAXXAS

(1-888-872-9927) (U.S. residents only)

TRAXXAS.COM