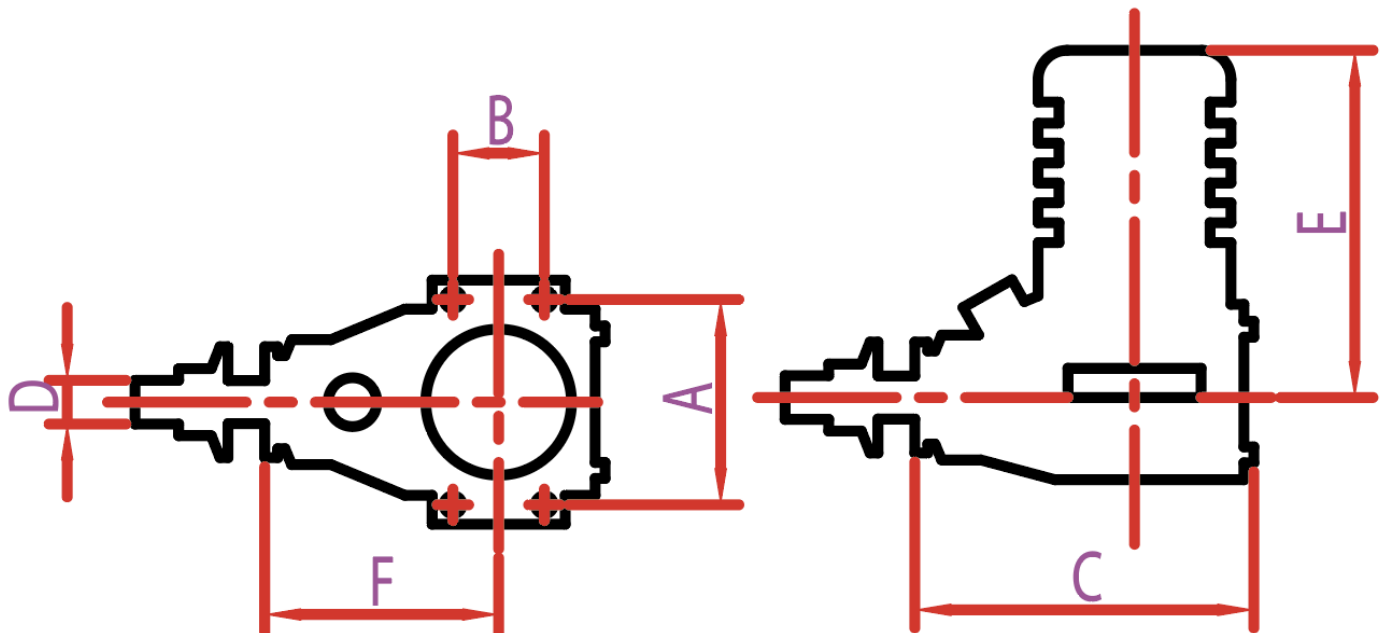
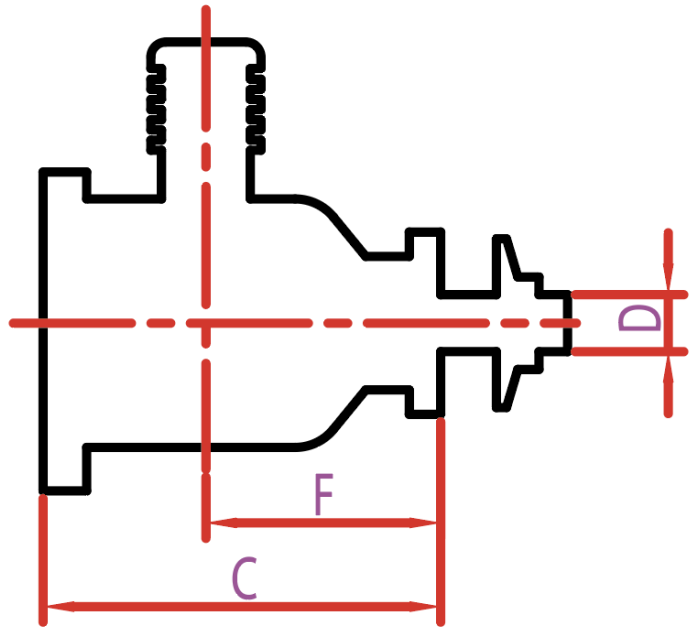
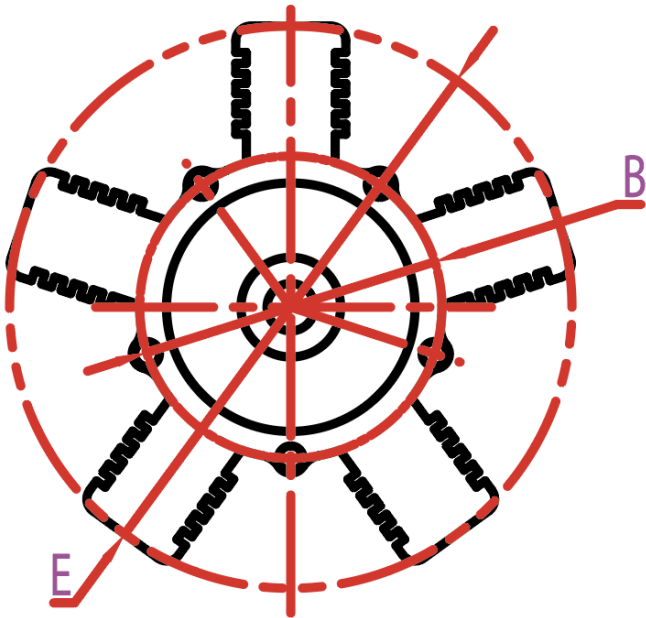


	Dimensions (mm)						Weight (g)	Features
RC AIRCRAFT ENGINES	A	B	C	D	E	F		
AP06A	24	10	45	M4	38.5	33	55	ABC
AP09A	30	11	58	M5	43.5	41	165	ABC
AP15A	30	11	58	M5	47	41	155	ABC
S25A*	38	15	76.6	1/4"-28	52.5	58.7	258	ABC
S32A*	38	15	74.9	1/4"-28	56.7	53.2	333	ABC
S36A*	38	15	74.9	1/4"-28	56.7	53.2	335	ABC
S40A*	44	17.5	84.3	1/4"-28	70.2	60.3	384	ABC
S46A*	44	17.5	85	1/4"-28	70	60	372	ABC
S52A*	44	17.5	85.8	1/4"-28	70.9	60.7	397	ABC
S61A*	52	25	97.8	5/16"-24	80.3	68.5	552	ABC
S91AE*	52	25	101.5	5/16"-24	84.7	66.7	595	ABC
108A	58	25	105.3	3/8"-24	90	73.7	676	ABC
180AR	68	36.5	133.7	3/8"-24	108	96.6	1250	Ringed

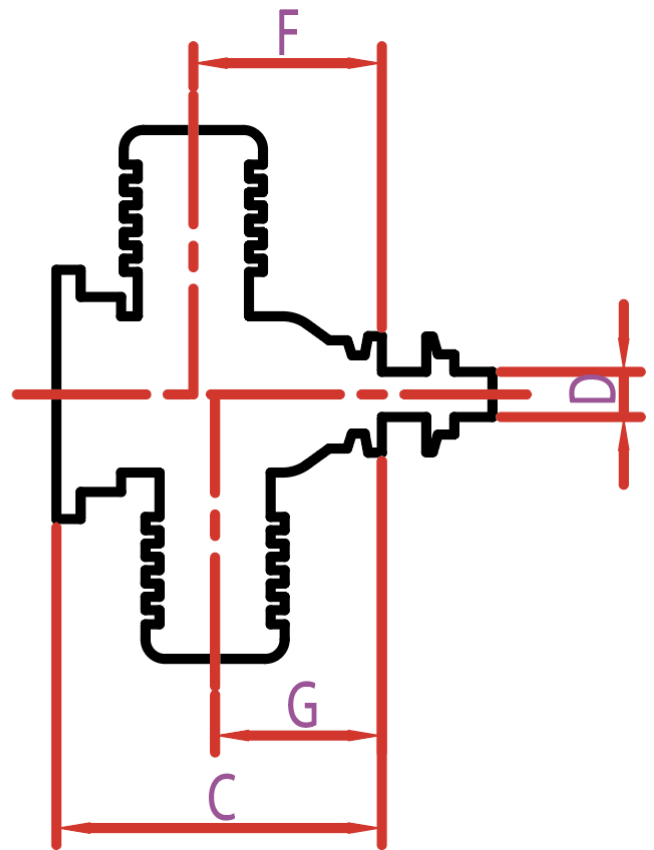
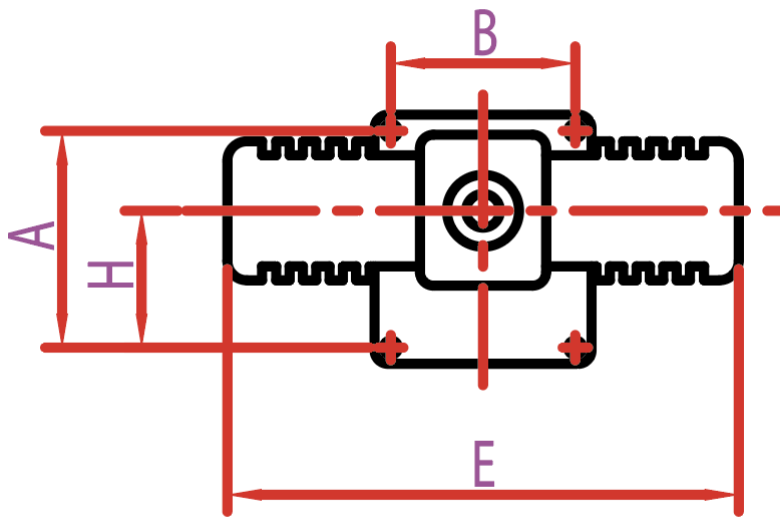
	Dimensions (mm)						Weight (g)	Features
FOUR STROKE ENGINES	A	B	C	D	E	F		
FS30AR	36	14	64.7	1/4"-28	71	46.8	275	Ringed
FS52AR	44	17.5	80.6	1/4"-28	82.4	59.2	455	Ringed
FS61AR	44	17.5	80.6	1/4"-28	82.4	59.2	450	Ringed
FS65AR	50	21	90	5/16"-24	98.3	65.3	620	Ringed
FS70AR	50	21	89	5/16"-24	97.4	65.3	606	Ringed
FS80AR	50	21	90	5/16"-24	98.3	65.3	620	Ringed
FS91AR	52	25	90	5/16"-24	100	65.3	640	Ringed
FS120AR	58	25	106	5/16"-24	116.3	78.3	888	Ringed
FS180AR	58	25	111.8	3/8"-24	120	80.8	1050	Ringed



FOUR STROKE ENGINES FOR AIRPLANE	Dimensions (mm)								Weight (g)	Features
	A	B	C	D	E	F	G	H		
FT160AR	80	68	120	5/16"-24	195.3	69.5	56.5	56.5	1265	Ringed
FS400AR		Ø122	160.5	3/8"-24	Ø227	78			2800	Ringed



FS400AR



FT160AR