

(产品仅适合14岁以上儿童使用)
(Not suitable for children under 14 years old)

产品尺寸(Product size):
长度(Length): 580mm
宽度(Width): 210mm
高度(Height): 400mm

WORK BOAT

ELECTROMOTION POWERED RADIO CONTROL BOAT

* FUNCTION: FORWARD, BACKWARD, LEFT / RIGHT TURN, SPRAY WATER.

⚠️操作前务必须确认适合玩耍的环境条件! Kindly check compatibility of environment before play!

警告(Warning):

本产品含有小零件请勿让三岁以下儿童玩耍; 电池充电器应定期检查其电线、插头、外壳和其他部件是否损坏, 发现损坏时应停止使用, 直至修复完好。

Choking hazard! This product contains small parts. NOT suitable for children under 3 years. Regularly check the battery charger wires, plugs and shell and other components for damage. DO NOT use if any part is damaged.

Replace any damaged components before reusing

⚠️ 注意事项(Caution proceeding)

1. 可拆卸的小零件要放好, 千万不可让小孩吞食。
2. 如操作场地有电波干扰, 请另选场地操作。
3. 遥控器电源低电时, 请立即停止操作。
4. 对拆除后的包装物, 请不要随意丢弃, 以免污染环境。
5. 请将你的遥控模型存放在干燥, 阴凉的地方。
6. 不要置于近火和高温、潮湿的地方储存。
7. 当电池被水浸湿, 请将水分充分地擦拭干净。

1. Detachable small parts should be stored safely and out of reach of children.
2. If interference is experienced, turn the tank off and try it again in a different area.
3. Remote control will not function correctly if the batteries are low. Please replace the batteries.
4. Please discard old/used batteries in a safe manner. Consider your environment!
5. Please store the remote control in cool, dry place.
6. DO NOT expose to fire or high temperatures, moist storage.
7. Should the battery get wet, wipe immediately with a soft dry cloth.

电池使用注意事项(Battery use caution proceeding)

1. 船体使用一组7.4V 可充电电池组;
2. 遥控器使用1节9V 电池;
3. 安装或更换电池时请注意极性;
4. 充电电池只能在成人监护下充电;
5. 不可混用新旧或不同型号的电池;
6. 从模型内取出用尽的电池;
7. 接线端不应短路;
8. 非充电电池不可充电;
9. 充电电池充电前应从模型中取出;
10. 请不要将坏的电池、电池组分解或扔到火中、水里, 以免发生意外;
11. 充电器的额定输入电压必须与当地的家用电压相符;
12. 在充电过程中, 充电器和电池出现微温, 属于正常现象。



HENG LONG
Since 1986
NO. 3810

2.4GHz
RADIO CONTROL

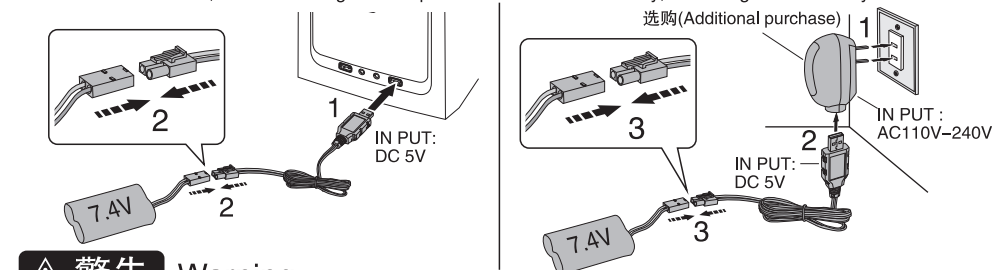
5
CHANNEL

1. Work boat body uses a set of 7.4V rechargeable batteries.
2. Remote control uses 9V x1 battery.
3. Please pay attention to correct polarity when replacing batteries.
4. Rechargeable batteries should be charged under adult supervision.
5. DO NOT use a mix of old and new or different types of battery.
6. Low, or exhausted batteries should be removed from the unit.
7. DO NOT short circuit any terminals.
8. DO NOT attempt to recharge non rechargeable batteries.
9. Remove batteries from the unit when recharging.
10. DO NOT put batteries into a fire or into water.
11. The rated input voltage battery charger MUST be suitable for your mains power voltage.
12. During charging it is quite normal for the charger and batteries to heat up.

1. USB充电 (USB Battery charging)

1. 将USB充电线插入电脑的USB插口(如图), 或插入手机充电器的USB插口(如图), 此时USB充电线电源指示灯微闪。
2. 再把电池的插头与USB充电线的充电插头按正确极性对接(如图), 此时USB充电线电源指示灯变为全亮闪烁, 进入充电状态, 约4小时后电源指示灯变为微闪, 此时充电完成。

1. Insert the USB cable into the USB port on the computer (as shown in the figure), or the mobile phone charger (as shown in the figure). Now, the indicator light of the USB cable will flash faintly.
2. Then connect the plug of the battery with that of the USB cable in line with their polarity (as shown in the figure). The indicator light of the USB cable will be fully on and flash, which denotes that it has started to getting charged. About 4 hours later, the indicator light of the power will turn to flash faintly, indicating that electricity is full.



⚠️ 警告 Warning

1. 本电池内置智能保护板;
2. 本USB充电线为本产品中的7.4V带保护板锂电池专用的, 严禁为其它任何电池充电, 否则造成危险, 后果自负!

1. Built-in battery intelligent protective board.
2. This USB charging wire is special for 7.4V lithium batteries with protective plate. It is forbidden to charge any other batteries, otherwise it will cause danger and the company won't bear the consequences.

⚠️ 敬告 (Notice)

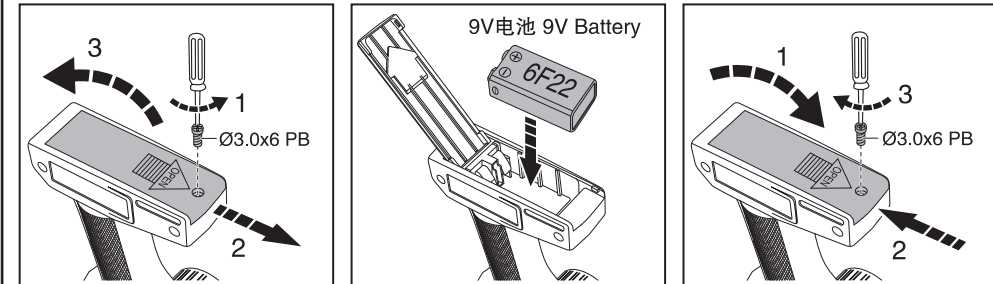
尊敬的用户:
本产品是配置一种环保节能的锂电池作为供电电源, 请您在使用中严格遵守使用规则, 这样您的锂电池才能正常使用。

1. 首次使用锂电池组时须先充满电再使用;
2. 每次使用后(不论使用时间长短)都应取出电池重新充电, 保持电池处于带电状态;
3. 当使用电池达到电量极限时, 须尽快充电, 如在电池过放电情况下, 搁置不充, 会严重损伤电池的寿命及性能或导致电池永久性损坏;
4. 电池组不能使用处于极热环境中, 如阳光直射或热天的车内, 否则, 电池组过热, 这样就会影响性能、缩短电池组的使用寿命;
5. 环境温度会影响放电容量, 环境温度超标环境时(25°C ± 5°C), 放电容量会有所降低。
6. 电池组在充放电过程中, 如果出现异味、异常声响, 请立即停止充电或放电。

Dear users:
This product is equipped with an eco-friendly and energy-saving lithium battery as the power supply. Please strictly abide by the instructions while using it, so that your lithium battery can work normally.

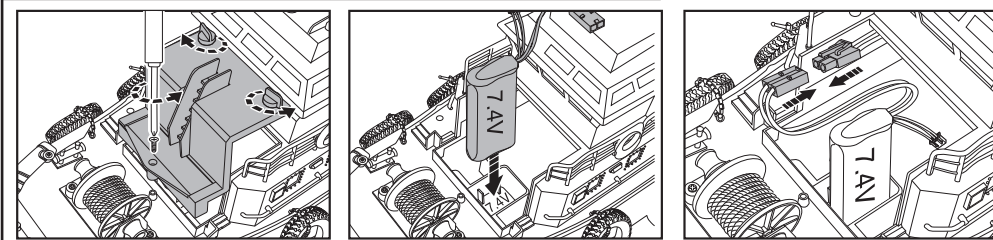
1. Before the first use, the lithium batteries must be fully charged.
2. The battery should be recharged after each use (no matter how long it was used) to keep the battery charged;
3. When the battery is about to run out, it should be recharged as soon as possible. If the battery is not recharged in case of over-discharge, the battery cycle life and performance will be seriously damaged or the battery will be permanently damaged;
4. Batteries cannot be used in extremely hot environments, such as under direct sun light or in a car in hot weather. Otherwise, the overheated batteries will affect the performance and shorten the cycle life.
5. Ambient temperature will affect the capacity of electric discharge. When ambient temperature exceeds the standard environment (25°C ± 5°C), the capacity of electric discharge will decrease.
6. During the charging and discharging of the batteries, if an abnormal odor or sound appears, please stop the charging or discharging immediately.

2. 遥控器电池的安裝 (Remote controller-Battery installation)



- (1) 先逆时针方向拧开遥控器盖上的螺丝, 再打开遥控器电池盖。
First use screw driver turn to anti-clockwise, take out the screw. Then open the battery cover.
- (2) 将一节9V电池块按正确极性装入遥控器内。
Remove the battery cover on the controller, place 1 x 9V battery into the battery compartment with correct polarity.
- (3) 先关上遥控器电池盖, 用十字螺丝刀顺时针方向拧上遥控器盖上的螺丝。
Close the battery cover, then use screw driver turn to clockwise, lock the screw.

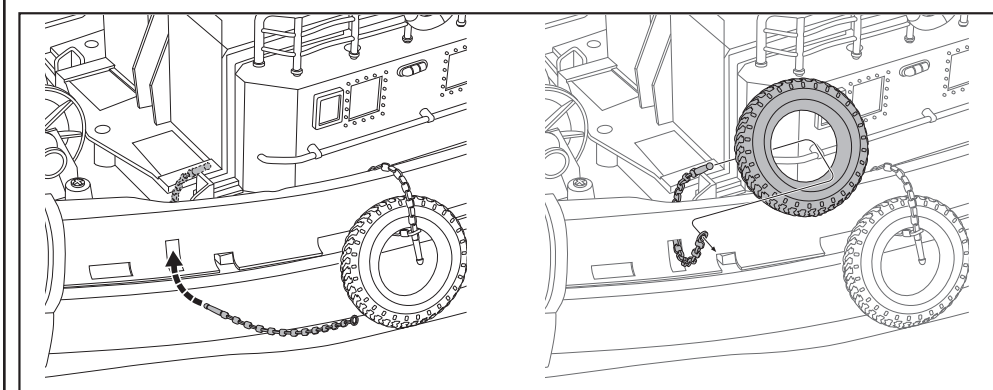
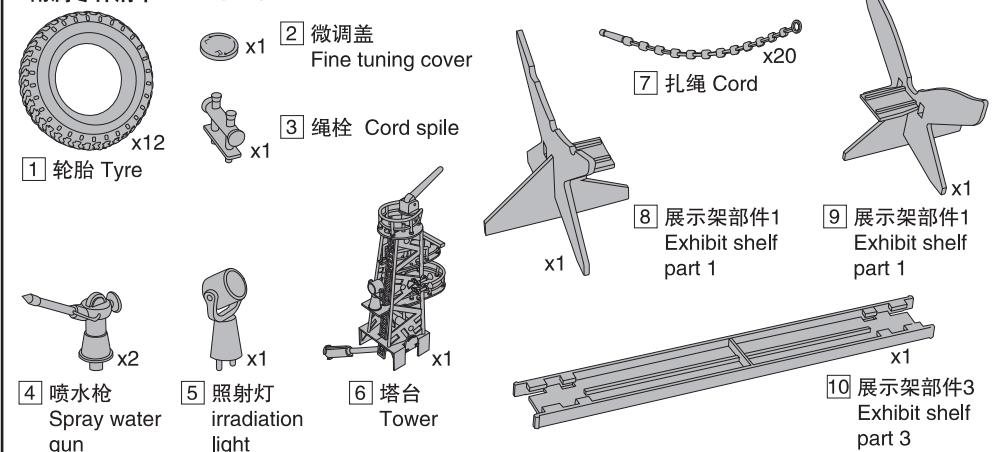
3. 遥控船电池的安裝 (Model boat-Battery installation)



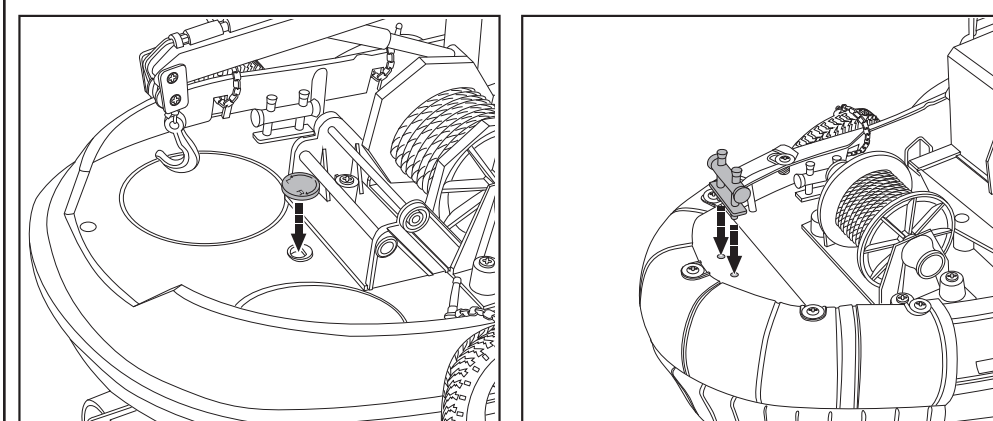
- (1) 用十字螺丝刀逆时针方向拧开电池盖上的螺丝, 再按箭头方向旋开锁钮, 打开电池盖。
Open the battery cover with a "+" screw driver turn to anti-clockwise, take out the screw and turn the rotary switch as shown, then install the battery in.
- (2) 装上电池。
Install the battery with correct electrode.
- (3) 按正确的极性连接好电池。盖好电池盖, 锁上螺丝, 再旋紧锁钮。
Lock the screw and knob after you cover the battery.

4. 附属零件的安裝 (Self-assembly parts-installation)

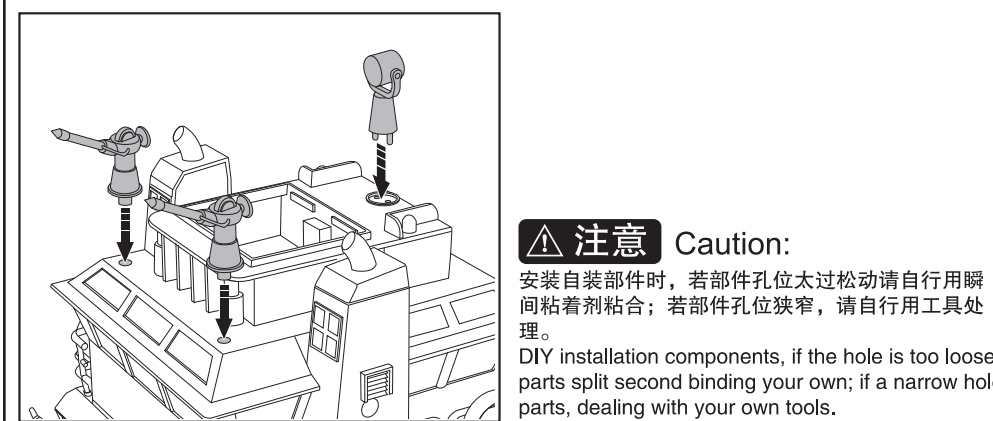
● 附属零件清单 PARTS LIST



- (1) 如图, 将锁链穿过甲板孔, 再套入轮胎并锁上锁链, 依次将12只轮胎装到船身左右两边上。
As shown, put the chain across the deck hole, then pass through the tyre, last lock the chain. One by one install all 12 tyres with this way on the bothside of the boat.



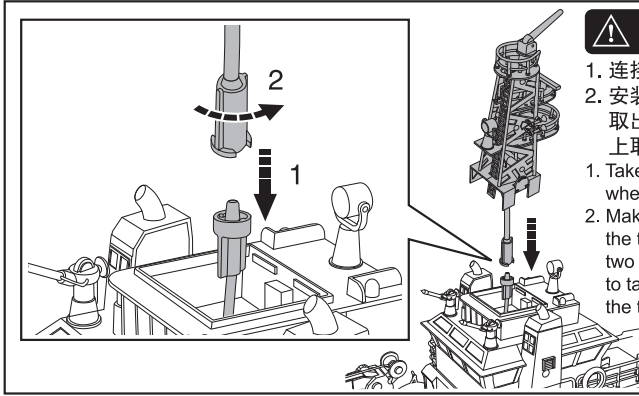
- (2) 如图, 装上微调盖。
As shown, install the fine tuning cover.
- (3) 如图, 将绳栓装到船头相应孔位上。
Install the rope bolt as shown to the front deck on the hull.



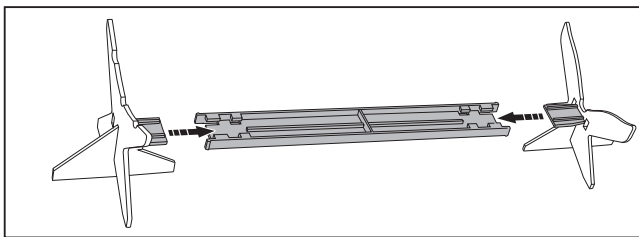
- (4) 如图, 将喷水枪和照射灯装到控制台相应孔位上。
As shown, install the water cannon and the searchlight on the control station.

⚠️ 注意 Caution:

安装自装部件时, 若部件孔位太过松动请自行用瞬间粘着剂粘合; 若部件孔位狭窄, 请自行用工具处理。
DIY installation components, if the hole is too loose parts split second binding your own; if a narrow hole parts, dealing with your own tools.

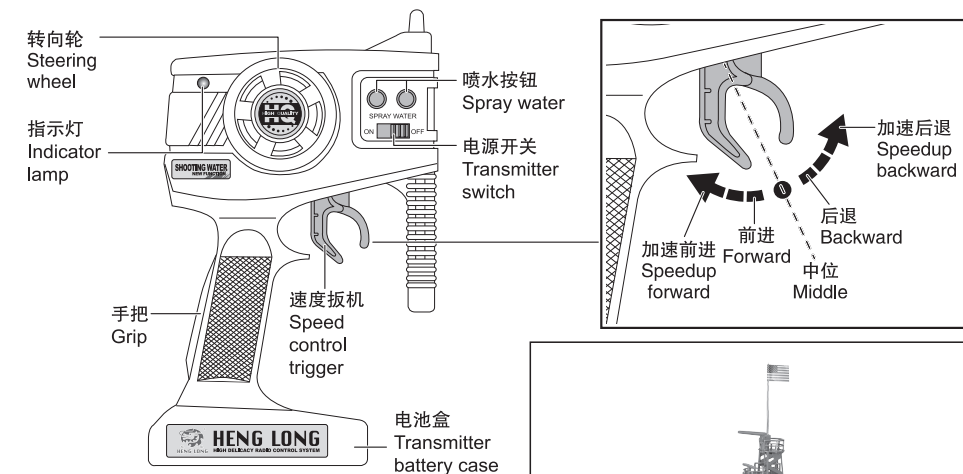


(5). 如图, 先将输水管接头连接在一起, 再将塔台装到船身上。
As shown, First connect the water pipe, then install the tower on the hull.



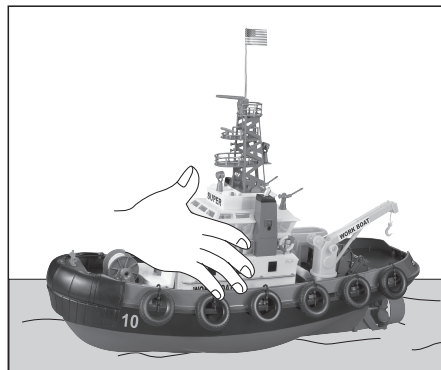
(6). 如图, 将展示架配件组装到一起, 不玩耍时, 可以将船放在展示架上。
As shown, Assemble the display shelf, then you can put the boat on it when it's static.

5. 操作 (Operation)



⚠ 特别注意 Special Caution:

工作船下水后需要用手稳住30秒钟左右, 让抽水仓进满水后才可以操作, 否则翻船!
Have to manually hold the boat around 30 seconds when you put it in the water to let the water storage filled. Otherwise the boat will capsize.

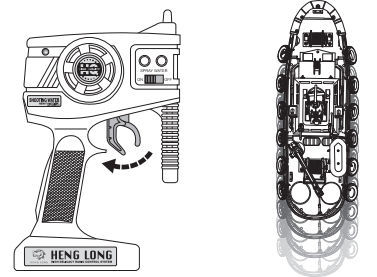


2.4GHz 对码确认方法(2.4GHz Instruction on decoding confirmation):

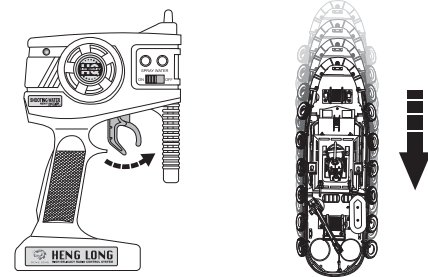
先将遥控器电源开关推向“ON”, 遥控器电源指示灯常亮, 然后按住遥控器上的喷水按钮不放, 再将拯救船置于水上, 拯救船LED灯快闪, 此时进入对码状态, 当拯救船LED灯常亮, 对码成功可以正常操作。当遥控距离超出有效范围(遥控器的控制距离约为80米)或者没收到信号, 拯救船接收灯LED会慢闪。

First turn on the remote controller's power, at the moment the indicator lamp lights on. Then press and hold the "spray water" button, put the boat in the water, the LED start flashing (Start building connecting). After a while when the LED lights on without flashing, connecting succeed. After that the boat becomes operational. When the boat move out of controlling range (around 80 metres). The LED will flash slowly.

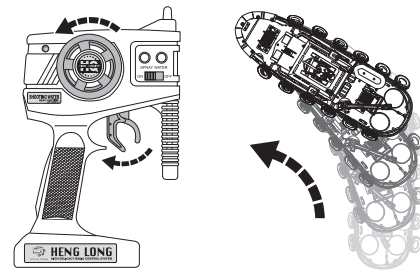
(1). 前进: 将速度扳机向后拉。
Forward: Pull the trigger to the back side.



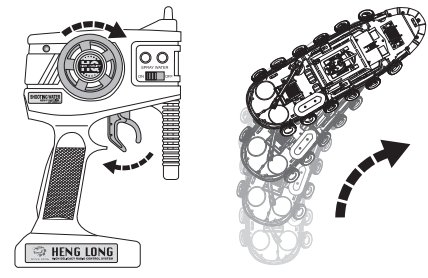
(2). 后退: 将速度扳机向前推。
Backward: Push the trigger to the front side.



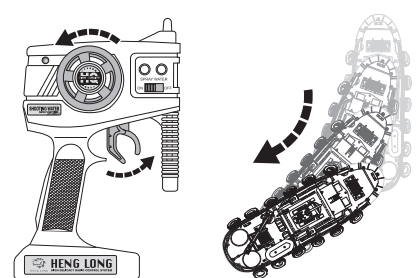
(3). 前进左转: 将速度扳机向后拉, 同时将转向钮向左转。
Forward turn left: Turn the steering wheel to the left side with pulling the trigger.



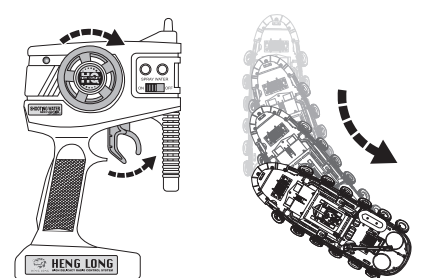
(4). 前进右转: 将速度扳机向后拉, 同时将转向钮向右转。
Forward turn right: Turn the steering wheel to the right side with pulling the trigger.



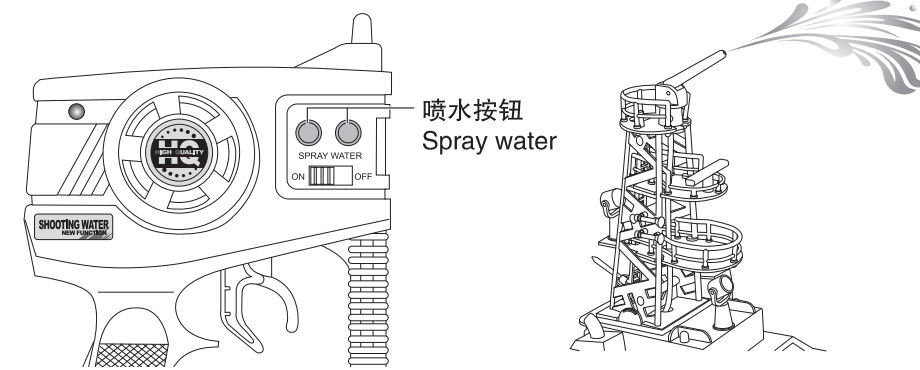
(5). 后退左转: 将速度扳机向前推, 同时将转向钮向左转。
Backward turn left: Turn the steering wheel to the left side with pushing the trigger.



(6). 后退右转: 将速度扳机向前推, 同时将转向钮向右转。
Backward turn right: Turn the steering wheel to the right side with pushing the trigger.



(7). 喷水枪喷水: 轻按一下喷水按钮, 塔台上的喷水枪喷出水柱; 再按一下, 停止喷水。
Spray water: Press the "spray water" button, the water cannon will spray out water on the top of observation tower; Press the button one more time to stop spraying.



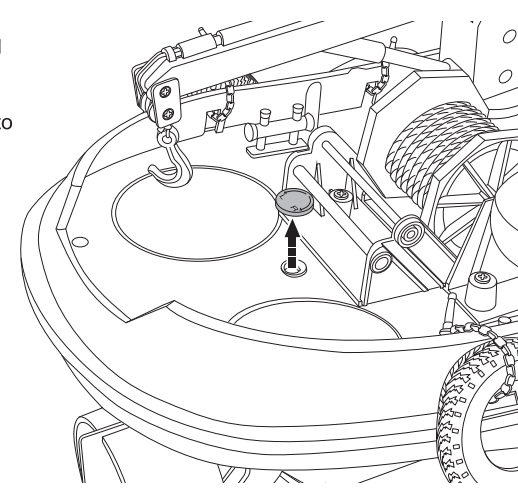
6. 微调 (Fine turning)

当扣动扳机, 在没转动方向钮时, 拯救船偏向左/右转, 可以打开微调盖, 用一字螺丝刀向右/左微调转向, 直至拯救船直行为止。

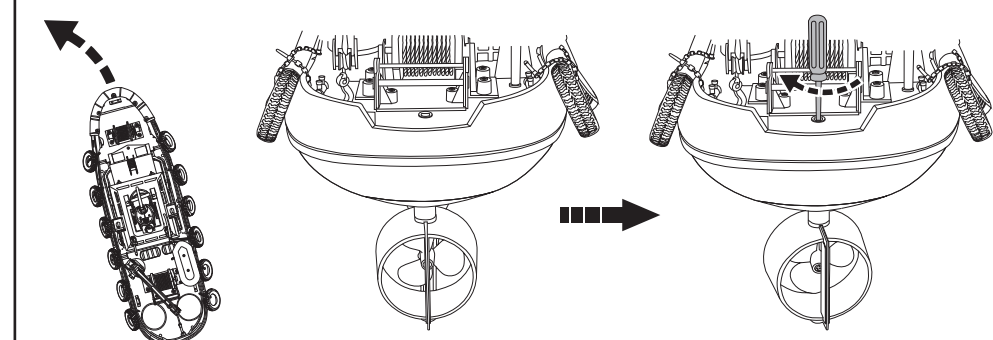
If the boat didn't go straight when you press the trigger, you can open the fine turning cover to adjust with a "-" screw driver till it goes straight.

⚠ 注意 Caution:

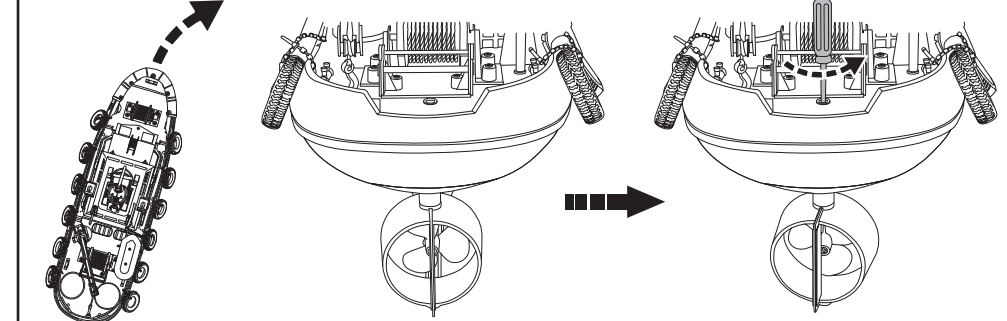
当用一字螺丝刀插入到船身上的“微调旋钮”转动到尽头时, 请勿再用力转动, 否则可能损坏“微调旋钮”。
When you adjust the fine turning switch to the end with the "-" screwdriver. Stop turning at this time, Otherwise will damage the switch.



(1). 拯救船前进偏向左时, 用一字螺丝刀顺时针方向微调, 直至拯救船直行为止。
If the boat goes a little left side, You can turn to anti-clockwise direction lightly with the "-" screw driver until it goes straight.



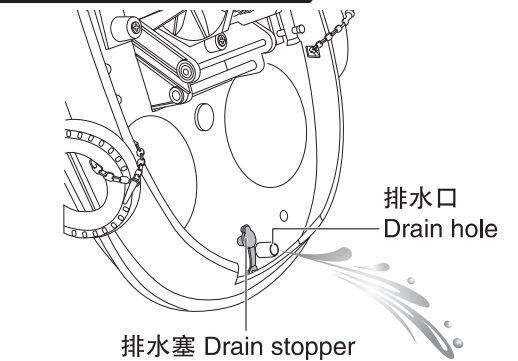
(2). 拯救船前进偏向右时, 用一字螺丝刀逆时针方向微调, 直至拯救船直行为止。
If the boat goes a little right side, You can turn to clockwise direction lightly with the "-" screw driver until it goes straight.



7. 清理拯救船内的积水 (To clean up the water in the rescue boat)

在使用拯救船时, 不慎让水进入船舱中, 这时请打开水塞, 将船身倾斜, 将拯救船中的积水从排水口排出, 排出积水后再将出水塞重新装到出水口上。

If the water goes into the boat by accident, please tilt the hull and open the stopper let the water goes out.



8. 离水功能 (Out of water functions)

当拯救船船底与水面分开时, 拯救船自动断电。
When the work boat leaves the water, it will automatic shut down the power.

