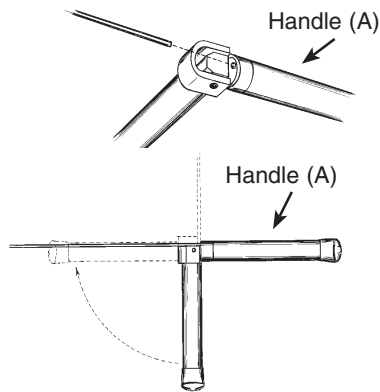


Important:

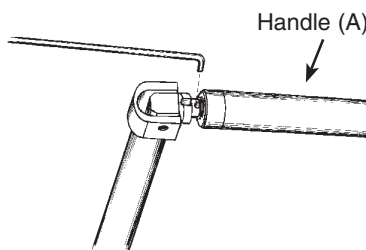
This Z-Bender is designed to use .072 and smaller dia. control pushrods. **Do Not** use piano wire, spring steel, drill rod or any hardened metal rod. Use **only** soft standard control pushrods.

Instructions:

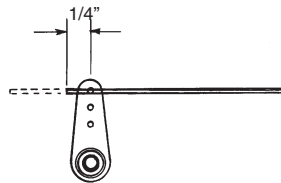
Step 1 Be sure handle (A) is screwed in all the way. Now insert the 2-56 rod into the hole as shown in Fig. 1. Straighten the handles (bending the rod).



Step 2 Unscrew handle (A) to expose the hole. Remove the push-rod, turn it over and place it into the hole as shown in Fig. 2 and screw handle (A) over the rod. Finally straighten the handles (bending the rod). Unscrew handle (A), remove the finished rod.



Note: To know exactly the length of rod needed to make the Z-Bend, connect the adjustable end of the rod to the horn, etc. Lay the rod over the hole in the servo arm or control horn. Measure 1/4" from the hole, cut the rod there and your finished bend will be right over the hole.



CAUTION: Wear safety glasses when bending wire.