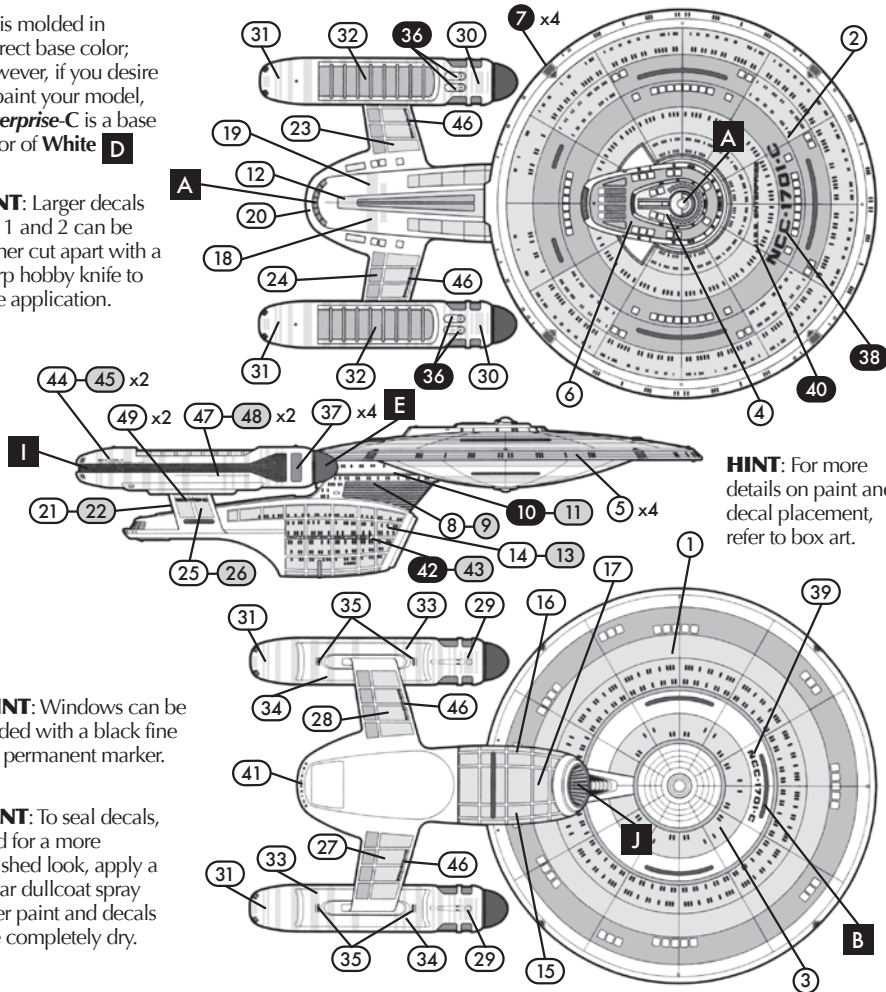


# DECAL & PAINT INSTRUCTIONS

Kit is molded in correct base color; however, if you desire to paint your model, *Enterprise-C* is a base color of **White** **D**

**HINT:** Larger decals like 1 and 2 can be further cut apart with a sharp hobby knife to ease application.



**HINT:** For more details on paint and decal placement, refer to box art.

**HINT:** Windows can be added with a black fine tip permanent marker.

**HINT:** To seal decals, and for a more finished look, apply a clear dullcoat spray after paint and decals are completely dry.

## KEY TO NUMBERING

- (000)** First Layer Decal Application
- (000)** Second Layer Decal Application
- (000)** Opposite Side Decal Application
- A** Paint Color (optional)

## KEY TO PAINT COLOR

- |                      |                      |
|----------------------|----------------------|
| <b>A</b> Light Gray  | <b>F</b> Copper      |
| <b>B</b> Medium Gray | <b>G</b> Yellow      |
| <b>C</b> Black       | <b>H</b> Pearl White |
| <b>D</b> White       | <b>I</b> Light Blue  |
| <b>E</b> Red         | <b>J</b> Medium Blue |

Special thanks to E. James Small for developing the aztec decals included in this kit. For excellence in model building, visit his web site at [smallartworks.ca](http://smallartworks.ca)

AMT and design are registered trademarks of Learning Curve Brands, Inc. used under license to Round 2, LLC. © 2010 Learning Curve Brands, Inc. All rights reserved. TM, ® & © 2010 CBS Studios Inc. All rights reserved. STAR TREK and related marks are trademarks of CBS Studios Inc. © 2010 Paramount Pictures Corp. All rights reserved. © 2010 Round 2, LLC South Bend, IN 46628 USA. Product and packaging designed in the USA. Made in China. All rights reserved.



# STAR TREK

U.S.S. ENTERPRISE™ NCC-1701-C

## ASSEMBLY INSTRUCTIONS

**GENERAL ASSEMBLY:** This highly-detailed kit features precision-tooled parts for ease of assembly. Care and patience must be exercised to achieve optimal results. The kit has been designed to assemble via **snap assembly**.

**GLUE ASSEMBLY:** If a modeler chooses to glue their model, it is **recommended that the instructions be examined carefully before applying cement**. You will find this very helpful, as it will allow you to gain a clear understanding of how the parts fit together in order to best plan painting and final assembly. If doing a test fit, scraping the attachment pins with a knife blade may be beneficial to separate parts before re-assembling with glue.

**SUB-ASSEMBLIES:** Note that this kit is intended to be built in sub-assemblies. This makes building the kit far more manageable. It is very important to note that it can be extremely advantageous to **apply paint and decals to sub-assemblies before completing final assembly**.

**DECALS & PAINT:** This kit includes extensive water slide decals. Note that the large areas of aztec paneling decals are **applied first, allowed to dry**, and a second set of smaller decals (primarily marking decals) are **placed on top**. These decals are compatible with setting solution which can be applied to conform around surface details. Paint is not required to produce satisfactory results. However, some modelers prefer to add additional painted detail to their kits. See the diagrams on this sheet for instructions regarding decal placement and optional paint specs. For best results apply dull coat for final finish.

For more model building tips and techniques, visit the Workbench section of our website at [round2models.com/workbench](http://round2models.com/workbench)

[round2models.com](http://round2models.com)

[STARTREK.COM](http://STARTREK.COM)

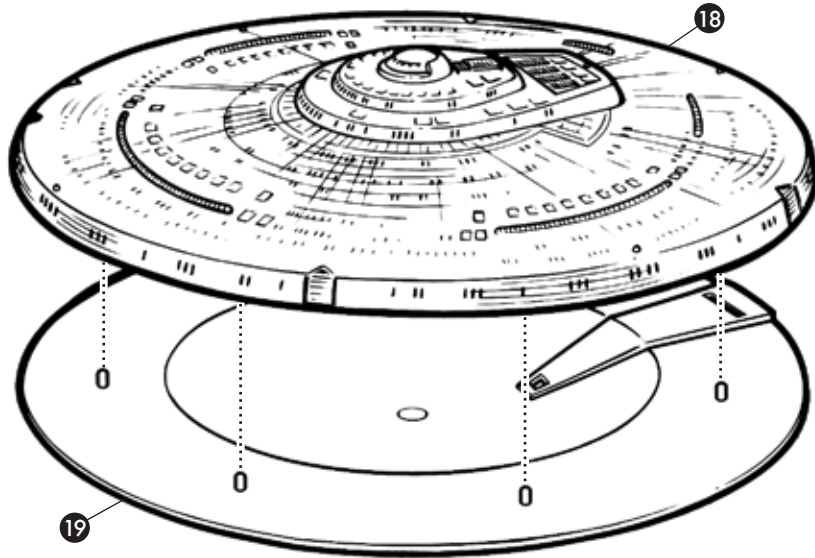
SKILL	AGE	CEMENT	PAINT
<b>2</b>	<b>10+</b>	<b>NO</b>	<b>NO</b>
LEVEL		NOT REQUIRED	NOT REQUIRED



# U.S.S. ENTERPRISE™ NCC-1701-C

## 1 SAUCER

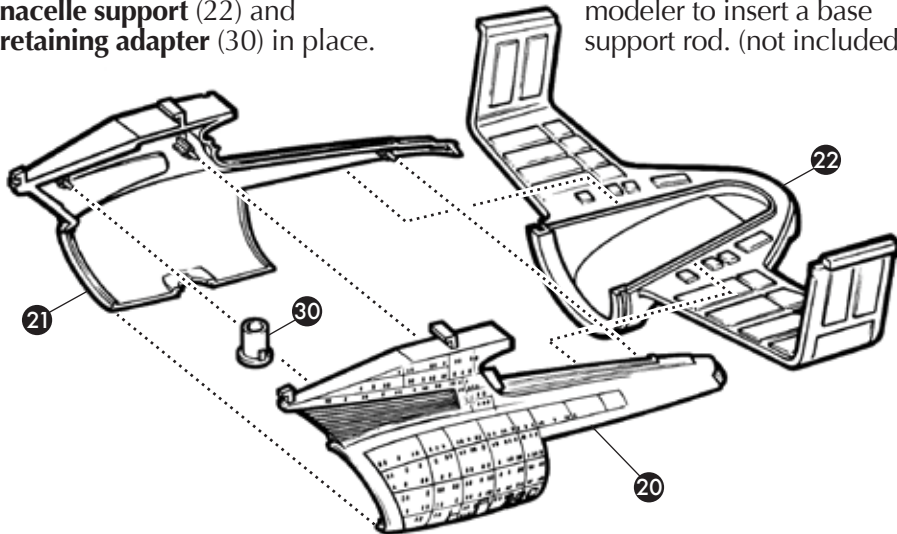
Snap the **upper saucer half** (18) and **lower saucer half** (19) together.



## 2 SECONDARY HULL

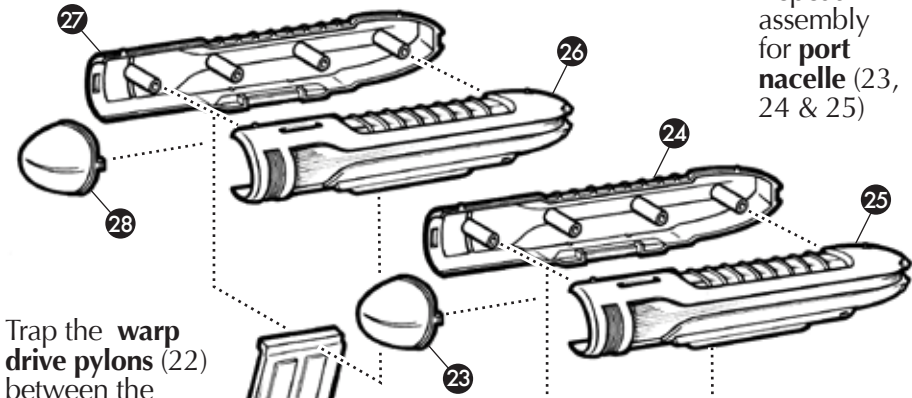
Snap the **secondary hull halves** (20 & 21) together, trapping **nacelle support** (22) and **retaining adapter** (30) in place.

The **retaining adapter** allows the a place for the modeler to insert a base support rod. (not included)



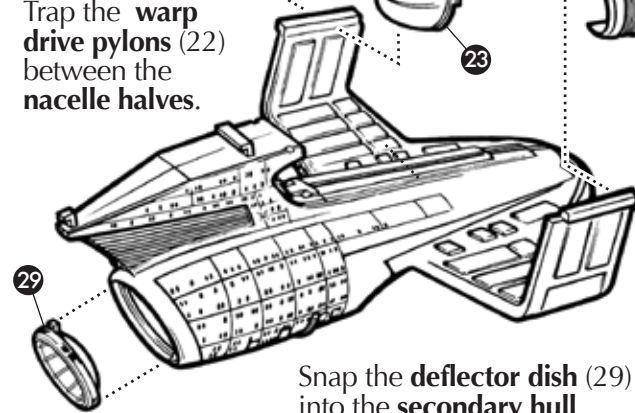
## 3 NACELLES

Snap the **starboard nacelle halves** (26 & 27) together, trapping **end cap** (28) in place at the front of the nacelle.



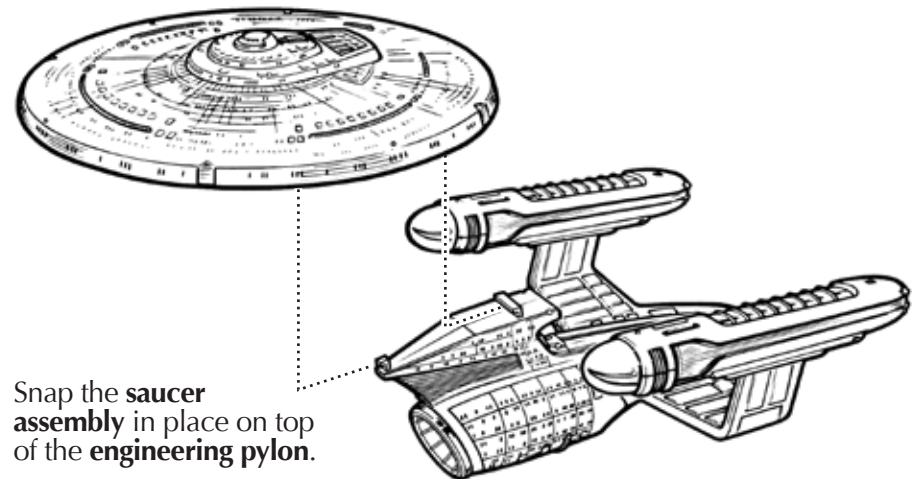
Repeat assembly for **port nacelle** (23, 24 & 25)

Trap the **warp drive pylons** (22) between the nacelle halves.



Snap the **deflector dish** (29) into the **secondary hull**.

## 4 FINAL ASSEMBLY



Snap the **saucer assembly** in place on top of the **engineering pylon**.