

SLASH MODIFIED

SPEC RACING



LET'S RACE!

START A MODIFIED OVAL SPEC RACING PROGRAM AT YOUR STORE

Modified Spec Racing brings new customers to the hobby by keeping the racing casual and protecting them from the high costs of traditional racing classes. With spec racing, drivers can go from box to the track in no time. Modifications are limited, making races a test of driver skill and determination. Modified racing brings family and friends together for competitive fun where every driver has a shot at a win.

Most importantly, it builds excitement and keeps customers coming to your store.



SLASH MODIFIED



MODIFIED RACING SPEC SERIES

Hosting RC racing at your shop doesn't have to be expensive or complicated.

Slash Modified is competitive on virtually any track or surface from dirt ovals to parking lots. Add new racing classes to your exiting racing series or start hosting races in your parking lot.

Follow these guidelines as a starting point to get your own program up and running.



SLASH MODIFIED SPEC CLASS RULES

This example rule set keeps racing simple and fun for drivers of all skill levels, while still providing areas for tuning to keep racers coming back week after week.

Slash Modified 104354-74: Stock body with only Traxxas Parts

- **Electronics**

- Stock BL-2s electronic speed control and motor
- TQ transmitter and receiver

- **Shocks**

- GTR, must have at least 5mm of movement

- **Servo**

- 2075, 2277, 2250, 2255, or 2280

- **Tires**

- Stock Traxxas Hoosier Angle Block
- No tire prep or saucing

- **Gearing**

- Any stock pinion/spur combo for Traxxas Slash Modified only
- No locked differentials

- **Battery**

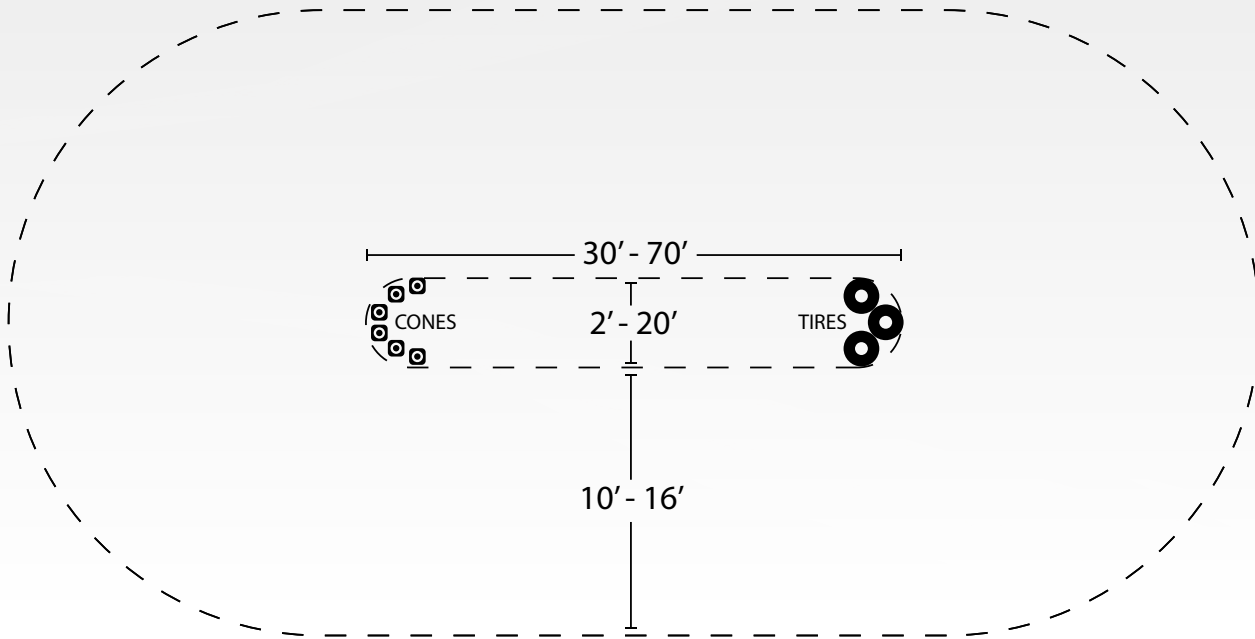
- 2s LiPo battery only
- 2844R 2s 5200, 2843X 2s 5800mAh, or 2869X 7600mAh

- **Allowed Traxxas upgrades:**

- 2531 Front Arms (color options)
- 3631 Rear Arms (color options)
- 3632 Caster Blocks
- 3636 Steering Blocks
- 3652 Stub Axle Carriers
- 3743 Bell Crank/Drag Link
- 9490 Transmission Motor Plate

OVAL TRACK SETUP

Some hobby dealers or local clubs already have purpose built oval tracks. The more oval tracks there are, the more sales opportunities there will be. It is easy to build a track on any surface. You can build one at your store and many customers will want to build them in their backyards. These are the typical dimensions for a Slash Modified Track - you can adjust as needed to suit your available space.



BUILD AN OVAL TRACK AND RACE PROGRAM

An oval track can be setup in minutes with enough space and basic supplies. Below are tips on setting up an oval track.

TRACK SETUP

Host a Slash Modified race

- **Track Surface Options**
 - Pavement
 - Dirt
 - Grass (mowed down short)
 - Carpet
- **Size**
 - 20'x40' to 60'x120'
- **Supplies**
 - Cones, car/truck tires, or agricultural plow discs can be used to create corners
 - Fire hose, 4"x 4" or 2"x 4" lumber, PVC pipe, or corrugated drainage pipe to create the perimeter

RACE FORMAT

Provide an exciting and fun experience

- **Lap Counting**
 - **Manual:** Two person team, one reading off numbers and the other recording laps
 - **Automated:** Professional timing system with transponders and timing software (E.g. MyLaps and LiveTime Scoring software)
- **Qualifying**
 - 4 or 5 minute qualifiers
- **Main Event**
 - 30-60 laps, depending on track size and lap times

SLASH MODIFIED

SPEC RACING



BUILD YOUR OWN SLASH MODIFIED RACE PROGRAM!



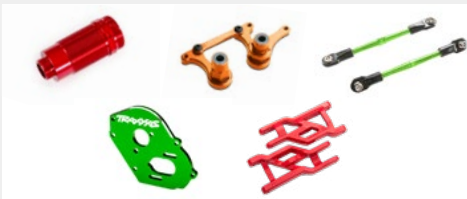
Keep it simple or go all-out to create a Traxxas Slash Modified race program.

From season points programs to individual event prizes, there's a wide array of ways to provide value and generate revenue from a racing program.

Here are some ideas to help you get started - contact your Traxxas representative to find out how we can help!

WEEKLY RAFFLE

Hold a raffle with Modified accessories as prizes for racers each week to give everyone a chance to win while promoting accessories.



SEASON POINTS INCENTIVE

Incentivize a season-long buy-in with a full set of Slash Modified Hoosier® Tires free of charge (a \$50 value!) at sign up.



\$20 ENTRY FEE
=
\$50 VALUE!

CHARGE AN ENTRY FEE

Generate additional revenue for your store by charging an entry fee to race.

OFFER PRIZES TO WINNERS

Reward race and season points winners with Traxxas accessories or store credit.

CAR SHOW PRIZES

Provide prizes to the best custom paint, most scale, and other judged awards.

ASK YOUR TRAXXAS REPRESENTATIVE HOW WE CAN HELP!

TRAXXAS